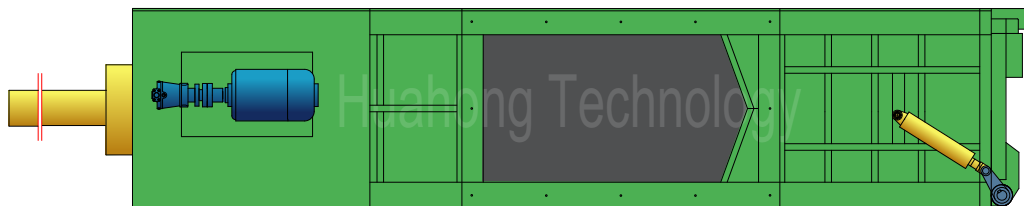
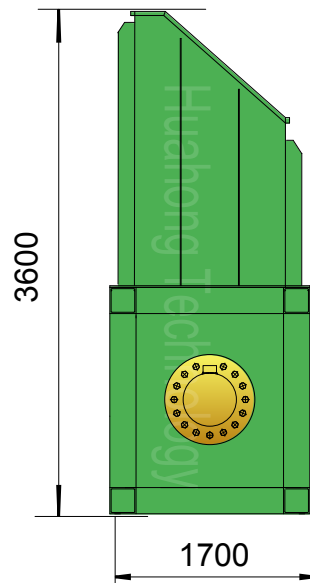
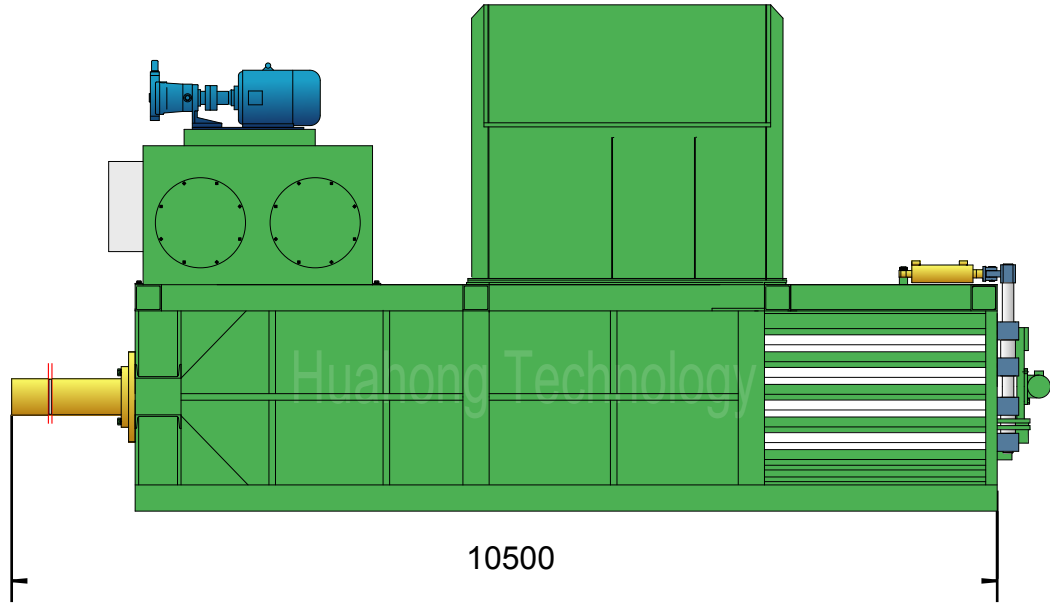




HPM250

Plan View





HPM250

Technical parameters

Horizontal Baler (Manual Belting)

Model: HPM250

Power System (Main Motor, 2 sets)

| | |
|--------------|----------------|
| Type: | Y280S-6 |
| Rated Power: | 45 kW (/set) |
| Rated Speed: | 980 rpm |
| Power Spec: | 3PH, 50 / 60Hz |

System Parameters

| | |
|----------------------------|----------|
| Main Pressure Cyl. Force: | 250 Ton |
| Locking Cyl. Force: | 30 Ton |
| Open-door Cyl. Force: | 23.5 Ton |
| Hydraulic System Pressure: | 25 MPa |

Hydraulic System (Pump, 3 sets)

| | |
|-------------------------|-----------------|
| Pump #1, #2: | 250YCY14-1B |
| Rated Displacement: | 250 ml/r (/set) |
| Max Operating Pressure: | 31.5 MPa |

Standard Configuration

V-shaped Cutting Blades; Oil Cooler;
Conveyor Width 1600mm, Powered by 7.5kW Motor;
Discharging Roll Powered by 0.75kW Motor.

| | |
|-------------------------|------------|
| Pump #3: | 25YCY14-1B |
| Rated Displacement: | 25 ml/r |
| Max Operating Pressure: | 31.5 MPa |

Optional Configuration

NOK (JAPAN) Seal Packings for Cylinders;
Oil Heater; Magnetic Oil Filter;
Diesel / Diesel Generator for Power.

Operation System

PLC Operation

General Description

| | |
|--------------------------------|--|
| Main Machine Size (L×W×H): | 10500×1700×3600 mm |
| Feeding Opening (L×W): | 2200×1120 mm |
| Bale Size (W×H): | 1120×1300 mm |
| Bale Weight (Cardboard): | 1050-1500 kg |
| Production Rate (Cardboard): | 6.3-9.5 tons/hr |
| Strapping: | Tempered Iron Wire, φ3.6/4.0mm, 7 Lines, Manual Strapping. |
| Shipping Weight: | Approx. 21 + 7 tons |
| Loading (Standard Containers): | 2×40'GP |

Hydraulic Oil Brand

Oil Tank Volume: 3200 ltr

| ISO VG | China | U.S. | | Britain | France |
|--------|-----------|------------|---------|-----------|------------|
| | GB11118.1 | CALTEX CO. | MOBIL | SHELL | ELF CO. |
| HM 46 | 46 # | Rando HD46 | D.T.E46 | Tellus 46 | Elfolna 46 |
| HM 68 | 68 # | Rando HD68 | D.T.E68 | Tellus 68 | Elfolna 68 |

Above information are indicative not engaging. Rights reserved for change if necessary.