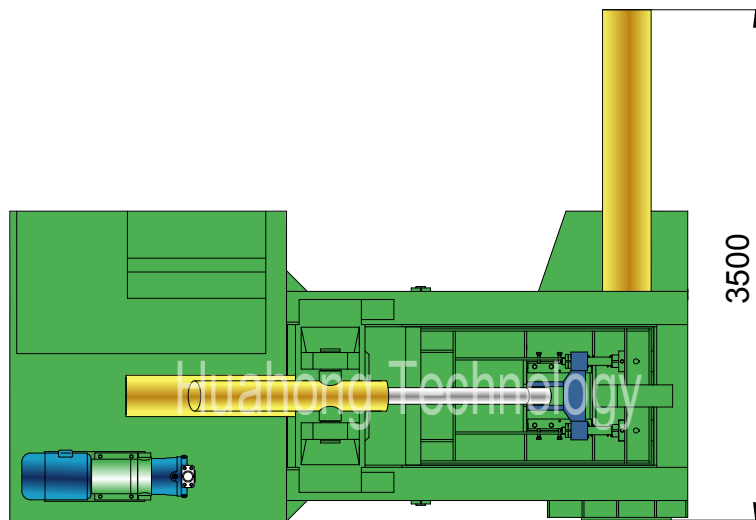
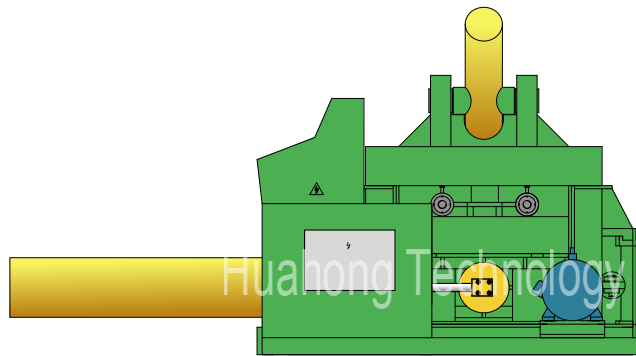
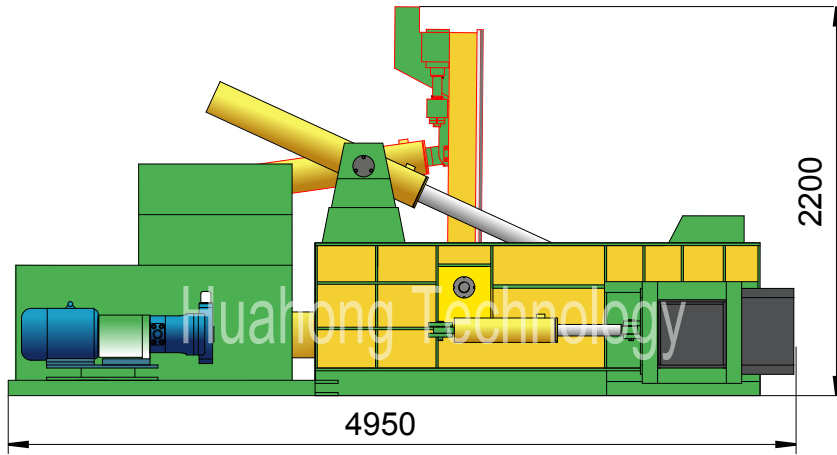




# YE81T-125D

## Plan View





# YE81T-125D

## Technical parameters

### "Push-out" Type Metal Baler

Model: YE81T-125D

### Power System (Motor)

Type: Y280S-6  
 Rated Power: 45 kW  
 Rated Speed: 980 rpm  
 Power Spec: 3PH, 50 / 60Hz

### System Parameters

Lid Cyl. Force: 50 Ton  
 Side Pressure Cyl. Force: 2×63 Ton  
 Main Pressure Cyl. Force: 125 Ton  
 Small Door Cyl. Force: 32 Ton  
 Hydraulic System Pressure: 25 MPa  
 Idle Cycle Time: Approx. 70 Sec

### Hydraulic System (Pump)

Type: 250YCY14-1B  
 Rated Displacement: 250 ml/r  
 Max Operating Pressure: 31.5 MPa

### Operation System (Optional)

Option 1: Manual Valve Operation  
 Option 2: PLC Operation

### Standard Configuration

#45 Steel Liners 18mm, Wholly Heat Treated;  
 NOK (JAPAN) Seal Packings for Cylinders;  
 Cooler / Heater; Magnetic Oil Filter.

### Optional Configuration

Cutting Blades & Teeth (2 sides); Loading Hopper;  
 Mn65 Steel Liners for High Pressure Chamber;  
 Diesel / Diesel Generator for Power.

### General Description

Main Machine Size (L×W×H): 4950×3500×2200 mm  
 Press Box Size (L×W×H): 1400×1000×700 mm  
 Bale Size (W×H): 300×300 mm  
 Bale Weight (Steel): 70-100 kg  
 Production Rate (Steel): 1.5-2.5 tons/hr  
 Shipping Weight: Approx. 10.8 tons  
 Loading (Standard Containers): 1×20'GP

### Hydraulic Oil Brand

Oil Tank Volume: 1600 ltr

ISO VG	China	U.S.		Britain	France
	GB11118.1	CALTEX CO.	MOBIL	SHELL	ELF CO.
HM 46	46 #	Rando HD46	D.T.E46	Tellus 46	Elfolna 46
HM 68	68 #	Rando HD68	D.T.E68	Tellus 68	Elfolna 68

Above information are indicative not engaging. Rights reserved for change if necessary.