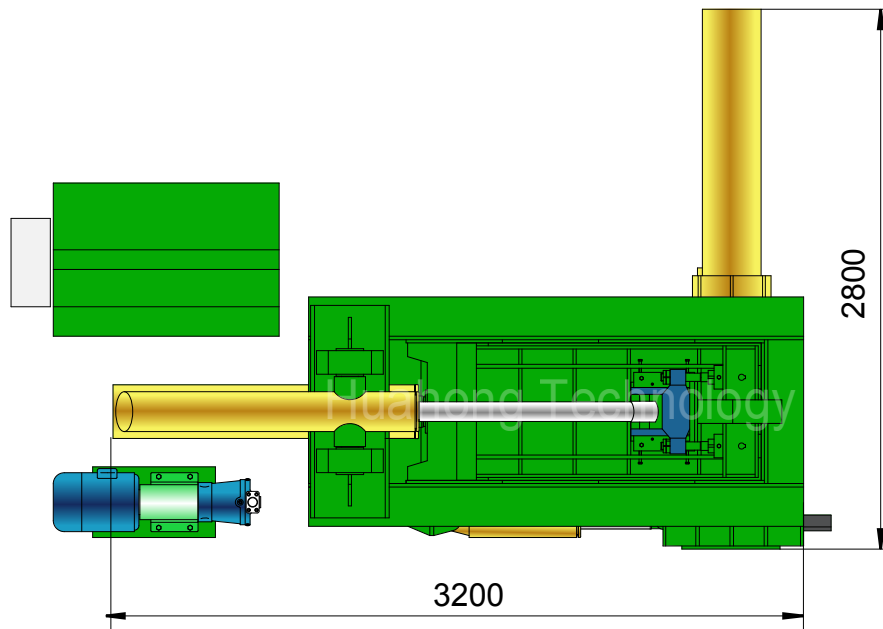
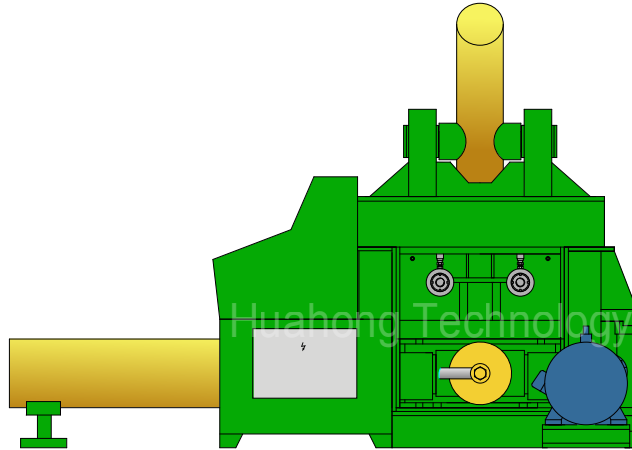
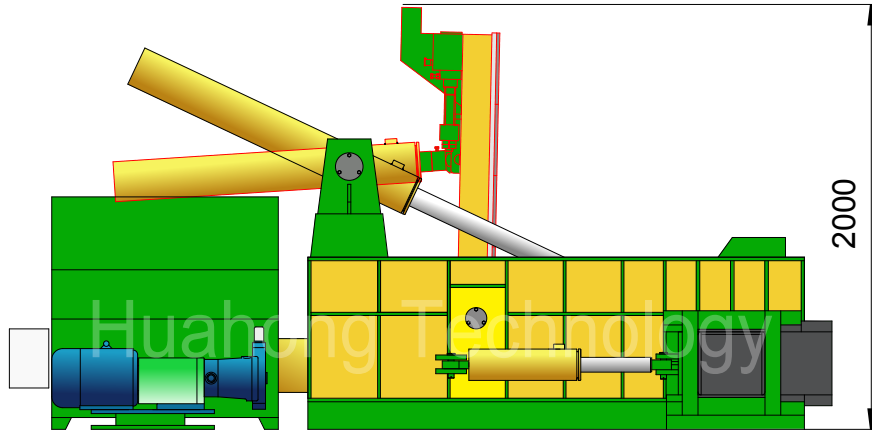




**Y81T-125A**

Plan View





# Y81T-125A

## Technical parameters

### "Push-out" Type Metal Baler

Model: Y81T-125A

### Power System (Motor)

Type: Y180M-4  
 Rated Power: 18.5 kW  
 Rated Speed: 1470 rpm  
 Power Spec: 3PH, 50 / 60Hz

### System Parameters

Lid Cyl. Force: 50 Ton  
 Side Pressure Cyl. Force: 100 Ton  
 Main Pressure Cyl. Force: 125 Ton  
 Small Door Cyl. Force: 32 Ton  
 Hydraulic System Pressure: 25 MPa  
 Idle Cycle Time: Approx. 90 Sec

### Hydraulic System (Pump)

Type: 80YCY14-1B  
 Rated Displacement: 80 ml/r  
 Max Operating Pressure: 31.5 MPa

### Standard Configuration

A3 Steel Liners, Surface Heat Treatment.

### Operation System (Optional)

Option 1: Manual Valve Operation  
 Option 2: PLC Operation

### Optional Configuration

Cutting Blades & Teeth (2 sides);  
 Loading Hopper; Cooler / Heater;  
 Diesel / Diesel Generator for Power.

### General Description

Main Machine Size (L×W×H): 3200×2800×2000 mm  
 Press Box Size (L×W×H): 1200×700×600 mm  
 Bale Size (W×H): 240×240 mm  
 Bale Weight (Steel): 40-50 kg  
 Production Rate (Steel): 1.0-1.2 tons/hr  
 Shipping Weight: Approx. 6.5 tons  
 Loading (Standard Containers):

### Hydraulic Oil Brand

Oil Tank Volume: 600 ltr

ISO VG	China	U.S.		Britain	France
	GB11118.1	CALTEX CO.	MOBIL	SHELL	ELF CO.
HM 46	46 #	Rando HD46	D.T.E46	Tellus 46	Elfolna 46
HM 68	68 #	Rando HD68	D.T.E68	Tellus 68	Elfolna 68

Above information are indicative not engaging. Rights reserved for change if necessary.