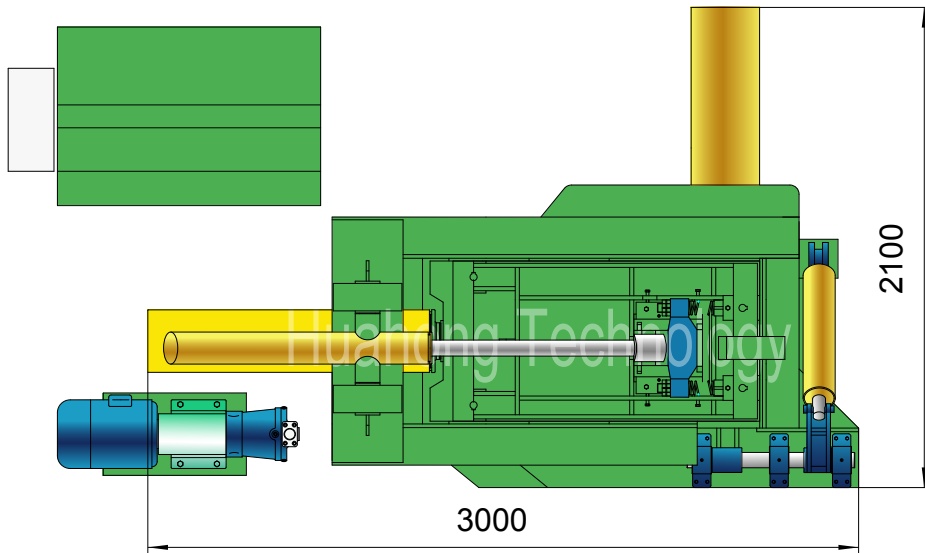
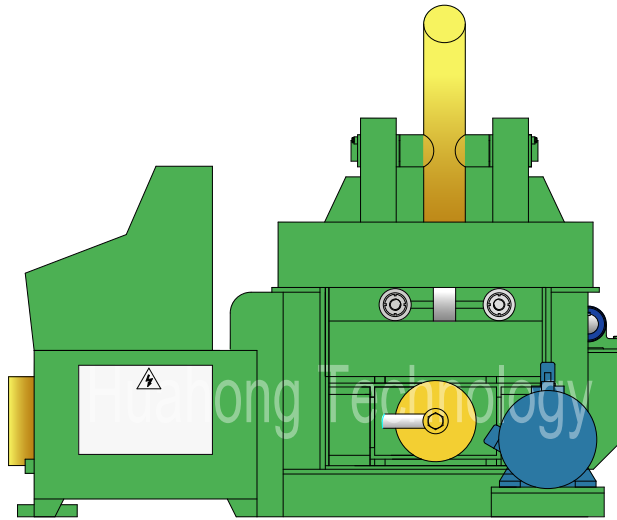
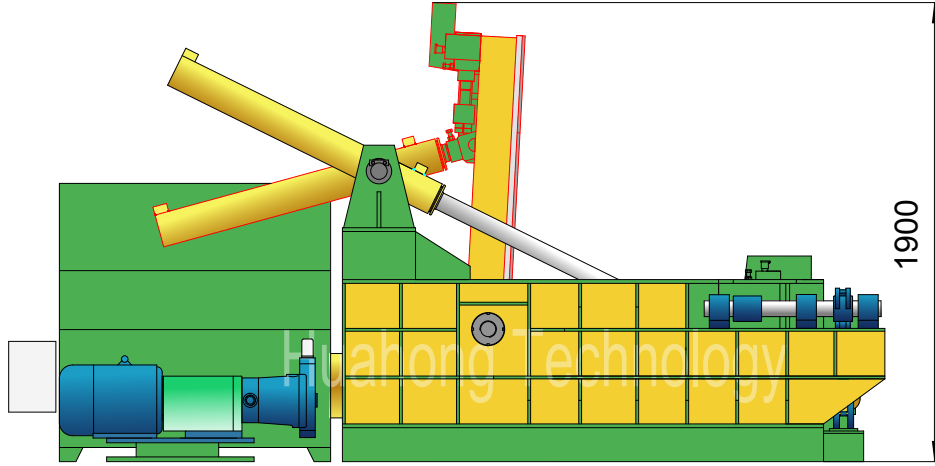




Y81F-125B

Plan View





Y81F-125B

Technical parameters

"Turn-out" Type Metal Baler

Model: Y81F-125B

Power System (Motor)

Type:	Y180L-6
Rated Power:	15 kW
Rated Speed:	970 rpm
Power Spec:	3PH, 50 / 60Hz

System Parameters

Lid Cyl. Force:	24 Ton
Side Pressure Cyl. Force:	80 Ton
Main Pressure Cyl. Force:	125 Ton
Bale Discharge Cyl. Force:	8 Ton
Hydraulic System Pressure:	25 MPa
Idle Cycle Time:	Approx. 120 Sec

Hydraulic System (Pump)

Type:	63YCY14-1B
Rated Displacement:	63 ml/r
Max Operating Pressure:	31.5 MPa

Operation System

Manual Valve Operation

Standard Configuration

A3 Steel Liners, Surface Heat Treatment.

Optional Configuration

Cutting Blades & Teeth (2 sides);
Cooler / Heater;
Diesel / Diesel Generator for Power.

General Description

Main Machine Size (L×W×H):	3000×2100×1900 mm
Press Box Size (L×W×H):	1100×700×600 mm
Bale Size (W×H):	230×230 mm
Bale Weight (Steel):	25-40 kg
Production Rate (Steel):	0.8-1.0 tons/hr
Shipping Weight:	Approx. 4.7 tons
Loading (Standard Containers):	

Hydraulic Oil Brand

Oil Tank Volume: 455 ltr

ISO VG	China	U.S.		Britain	France
	GB11118.1	CALTEX CO.	MOBIL	SHELL	ELF CO.
HM 46	46 #	Rando HD46	D.T.E46	Tellus 46	Elfolna 46
HM 68	68 #	Rando HD68	D.T.E68	Tellus 68	Elfolna 68

Above information are indicative not engaging. Rights reserved for change if necessary.