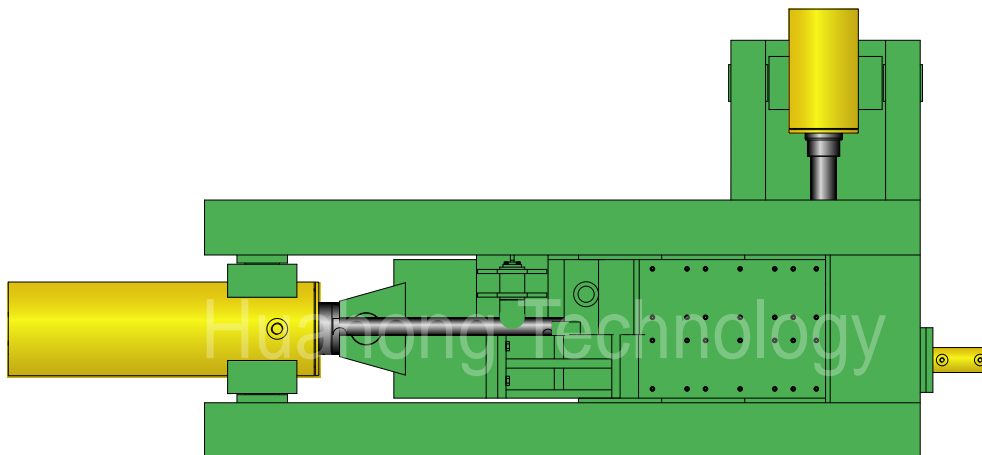
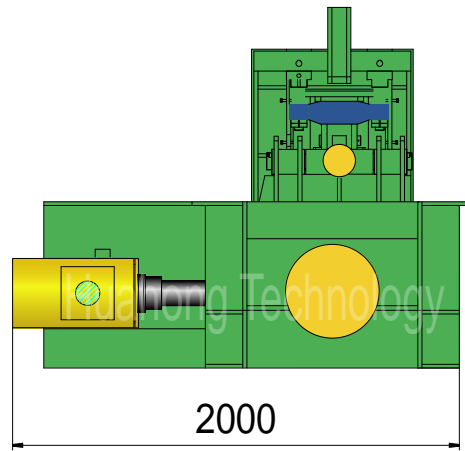
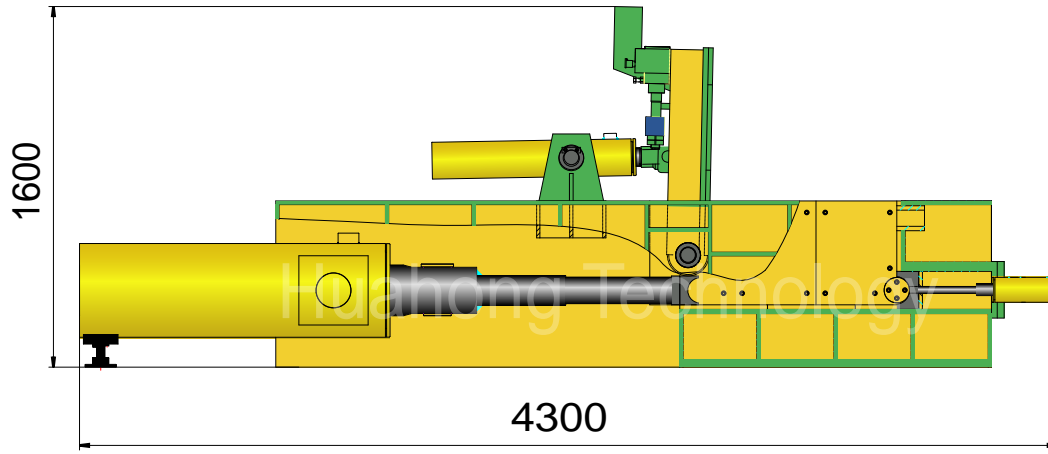




Y81-200WY

Plan View





Y81-200WY

Technical parameters

"Round-bale" Metal Baler

Model: Y81-200WY

Power System (Motor)

Type: Y200L2-6
 Rated Power: 22 kW
 Rated Speed: 970 rpm
 Power Spec: 3PH, 50 / 60Hz

System Parameters

Lid Cyl. Force: 50 Ton
 Side Pressure Cyl. Force: 200 Ton
 Main Pressure Cyl. Force: 125 Ton
 Bale Ejection Cyl. Force: 12.5 Ton
 Hydraulic System Pressure: 25 MPa
 Idle Cycle Time: Approx. 80 Sec

Hydraulic System (Pump)

Type: 160YCY14-1B
 Rated Displacement: 160 ml/r
 Max Operating Pressure: 31.5 MPa

Standard Configuration

A3 Steel Liners, Surface Heat Treatment.

Operation System

Manual Valve Operation

Optional Configuration

Cooler / Heater;
 Diesel / Diesel Generator for Power.

General Description

Main Machine Size (L×W×H): 4300×2000×1600 mm
 Press Box Size (L×W×H): 800×600×450 mm
 Bale Size (Dia×L): φ125×420 mm
 Bale Weight (Steel): Approx. 20 kg
 Production Rate (Steel): 0.4-0.5 tons/hr
 Shipping Weight: Approx. 6.8 tons
 Loading (Standard Containers):

Hydraulic Oil Brand

Oil Tank Volume: 1200 ltr

ISO VG	China	U.S.		Britain	France
	GB11118.1	CALTEX CO.	MOBIL	SHELL	ELF CO.
HM 46	46 #	Rando HD46	D.T.E46	Tellus 46	Elfolna 46
HM 68	68 #	Rando HD68	D.T.E68	Tellus 68	Elfolna 68

Above information are indicative not engaging. Rights reserved for change if necessary.